



Wheel Horse®

PARTS MANUAL



Lawn Ranger

**ELECTRIC START
LAWN TRACTOR**

AND

**RECOIL START
LAWN TRACTOR**

PIONEERS IN TRACTORING

SERIAL NUMBERS

Serial and model numbers are necessary to correctly identify your tractor and engine whenever you need repair parts.

The tractor model and serial numbers are on a plate attached to the frame to the left of the engine.

The engine model and serial numbers are on a plate attached to the engine crankcase at the rear of the engine.

For your convenience and ready reference, enter these numbers in the spaces below.

MODEL NO.'s	TRACTOR	ENGINE
Electric Start	2-0210-6	V70-125099
Recoil Start	2-0200-6	V70-125098
SERIAL NO.'s		

TO ORDER PARTS FROM THIS MANUAL

1. Find the illustration of the desired part and note its identifying number.
2. Locate the item number in the listings on pages 3 and 4 and determine the part number and description. The letters "RE" after a description indicate that the part is used only on electric start tractors.
3. Order the part from your local authorized Wheel Horse Dealer.

WHEEL-HORSE PRODUCTS, INC.

515 W. Ireland Road, South Bend, Indiana 46614

Plate 1.1 FRAME

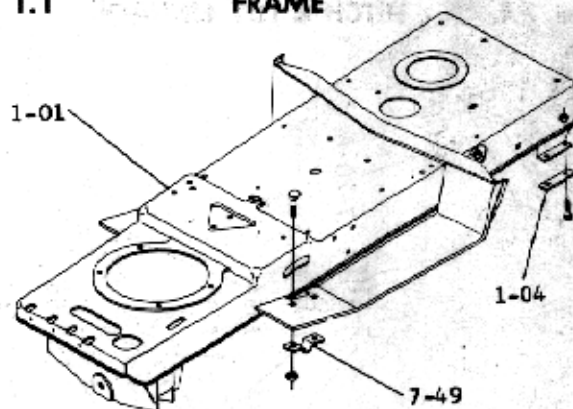


Plate 2.1 TRANSMISSION

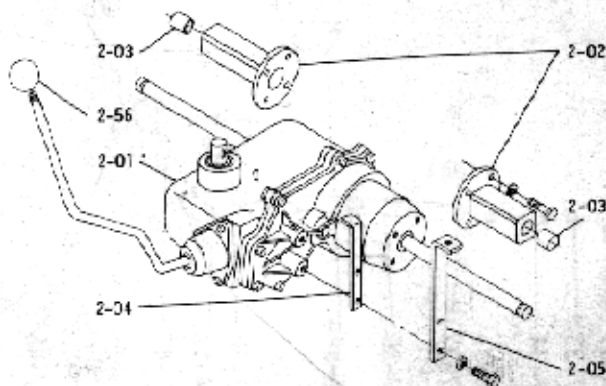


Plate 5.1 FRONT AXLE AND STEERING

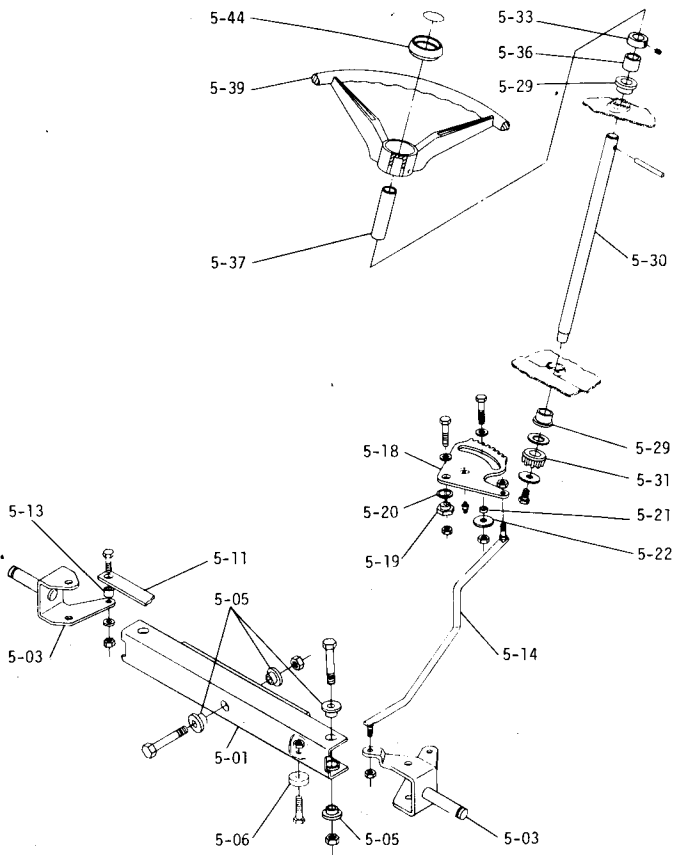


Plate 6.1 BRAKE/CLUTCH LINKAGE

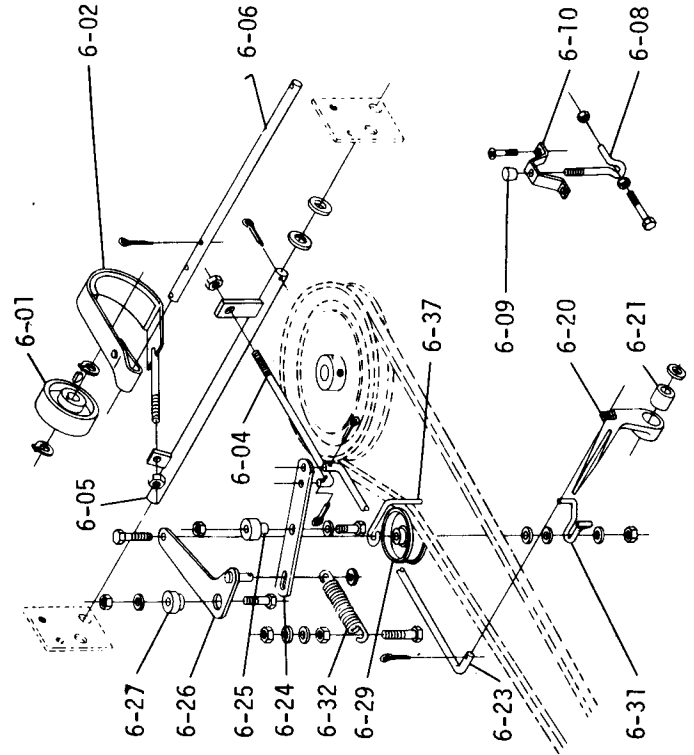


Plate 7.1 HITCH & LIFT LINKAGE

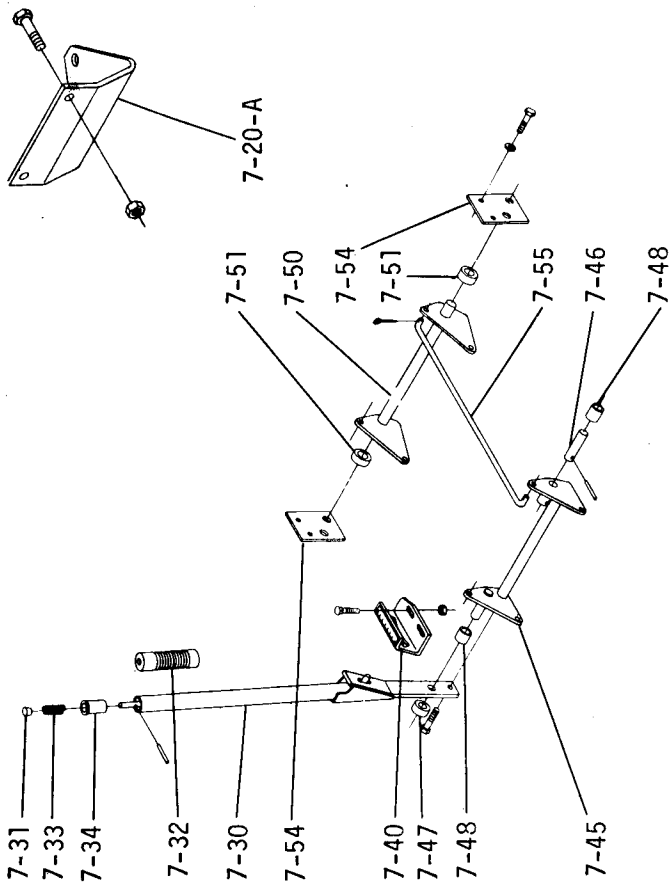
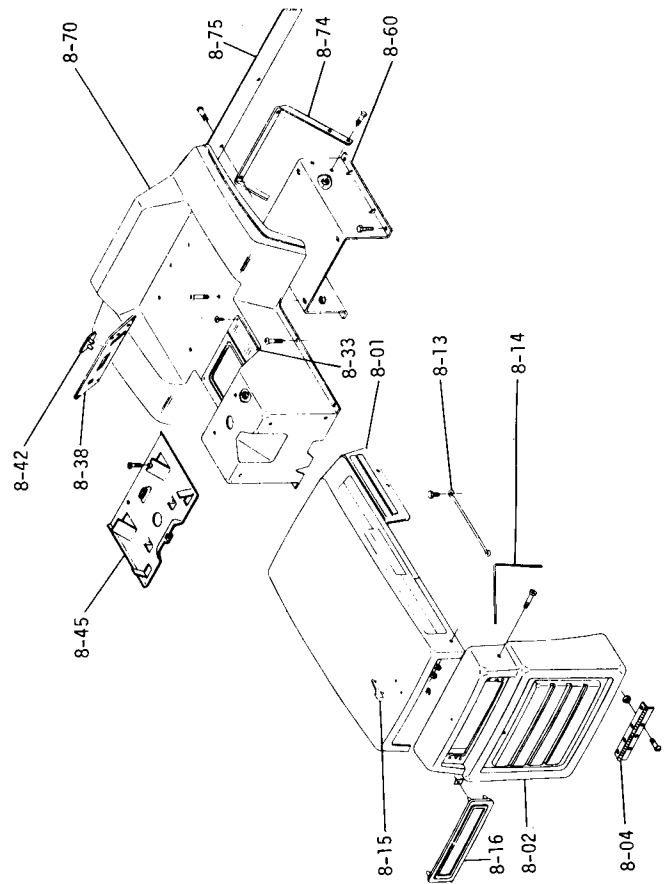


Plate 8.1 SHEET METAL AND COVERS



Parts available only through Authorized Dealers.
 When ordering parts always list Part No. and name of Part.
 (Specifications subject to change without notice.)

ITEM NO.	PART NO.	DESCRIPTION	NO. REQD.	ITEM NO.	PART NO.	DESCRIPTION	NO. REQD.
<u>1.000 FRAME ASSEMBLY (PLATE 1.1)</u>				6-21	9001	Bushing - Bushing	1
1-01	100261	Assy. - Frame	1	920013-4	Washer, 5/8	1	
1-04	9134	Hanger - Axle	2	1278	Washer	1	
	908025-4	Bolt, 5/16-18x2 1/2 to frame	4	6-23	8903	Rod - Clutch	1
	915112-6	Nut, 5/16-18 Eslok	4	932008-4	Cotter Pin	2	
<u>2.000 TRANSMISSION 3 - SPEED (PLATE 2.1)</u>				6-24	8898	Link - Clutch	1
2-01	5072	Assy. - Transmission	1	6-25	9475	Spacer - Link	1
2-02	9060	Hub - R. H.	1	908036	Bolt, 3/8-16 x 1 1/2 link to frame	1	
	9061	Hub - L. H.	1	915113-6	Nut, 3/8-16 Eslok	1	
	908019-4	Bolt, 5/16-18x1, hub to trans.	8	920039-4	Washer, 3/8	1	
	920082-4	Lockwasher, 5/16	8	6-26	9757	Assy. - Idler Arm	1
2-03	MM-5223	Bushing	2	6-27	9481	Spacer	1
2-04	9820	Guide - Belt	1	908035-4	Bolt, 3/8-16 x 1 1/4 to frame	1	
2-05	8924	Bracket - Transmission	1	915113-6	Nut, 3/8-16 Eslok	1	
	908019-4	Bolt, 5/16-18x1, to trans.	2	2844	Washer	2	
	920082-4	Lockwasher, 5/16	2	6-29	MM-8821	Pulley - Idler	1
2-56	1001	Knob	1	908039-4	Bolt, 3/8-16 x 2 1/4	1	
<u>5.000 FRONT AXLE AND STEERING (PLATE 5.1)</u>				915113-4	Nut, 3/8-16 Eslok	1	
5-01	100555	Assy. - Axle - front	1	920039-4	Washer, 3/8 US	4	
	5795	Bolt, Special	1	6-31	100052	Guide - Belt Guard	1
	915751-4	Nut, 1/2-13	1	6-32	1129	Spring	1
5-03	8936	Assy. - Spindle - R. H.	1	908020-4	Bolt, 5/16-18 x 1 1/4	1	
	8937	Assy. - Spindle - L. H.	1	915112-6	Nut, 5/16-18 Eslok	2	
5-04	5794	Bolt - Special	2	920008-4	Washer, 5/16	2	
	915751-4	Nut, 1/2-13	2	920009-4	Washer	1	
5-05	101441	Bearing - Sintered iron	6	6-37	6574	Retainer - Belt	1
5-06	100458	Washer - Steering Stop	2	<u>7.000 HITCH AND LIFT LINKAGE (PLATE 7.1)</u>			
	908033-4	Bolt, 3/8-16 x 7/8	2	7-20-A	9477	Hitch	1
	915113-6	Nut, 3/8-16 Eslok	2	908017-4	Bolt, 5/16-18 x 3/4 Mounting	2	
5-11	8942	Tie Rod	1	915112-6	Nut, 5/16-18 Eslok	2	
5-13	4937	Spacer - Tie Rod - Spindle	2	7-30	101190	Assy. - Lift Lever	1
	908034-4	Bolt, 3/8-16 x 1	2	908033-6	Bolt, 3/8-16 x 7/8 to lift rod	1	
	915113-6	Nut, 3/8-16 Eslok	2	7-31	3680	Cap - Rod End	AR
	920039-4	Washer, 3/8 U.S.	2	7-32	6542	Grip - Handle	1
5-14	100557	Assy. - Rod - Drag Link	1	7-33	3624	Spring - Compression	1
	915001-6	Nut, 5/16 Eslok	2	7-34	8130	Retainer - Spring	1
5-18	8890	Sector - Steering	1	933148	Rollpin, Spring stop	1	
	MM-1455	Fitting, Grease	1	7-40	5640	Quadrant - Lift	1
5-19	101387	Cam - Steering Adj.	1	900037-4	Bolt, 5/16-18 x 3/4 carriage	2	
5-20	7896	Washer - Spring	1	915112-6	Nut, 5/16-18 Eslok	2	
5-21	101389	Spacer	1	7-45	100208	Assy. - Front Lift Rod	1
5-22	2844	Washer - Special	AR	100214	Pin	1	
	908019-4	Bolt, 5/16-18 x 1	2	933186	Rollpin, 3/16 x 7/8 rod to pin.	1	
	915112-6	Nut, 5/16-18	2	7-47	100683	Spacer	1
	920008-4	Washer, 5/16, Bolt hd. to frame	2	7-48	9001	Bushing	2
5-29	101442	Bearing - Flanged, sintered iron	2	7-49	9483	Retainer	1
	5210	Washer, Thrust (.015) lower brng.	1	900214-4	Bolt, 5/16-18 x 3/4 } Illustrated	4	
5-30	101463	Shaft - Steering	1	915112-6	Nut, 5/16-18 Eslok } Plate 1.1	4	
5-31	101464	Gear - Steering Pinion	1	7-50	100205	Assy. - Rear Lift Rod	1
	908032-6	Bolt, 3/8-16 x 3/4 Nylok	1	7-51	100686	Spacer	2
5-33	1085	Collar - Set	1	7-54	100716	Assy. - Bracket - Lift R. H.	1
	909848-5	Set Screw, 1/4-20 x 1/4 Nylok	1	100715	Assy. - Bracket - Lift L. H.	1	
5-36	979120-4	Tube - Spacer	1	908016-6	Bolt, 5/16-18 x 5/8	4	
5-37	101467	Sleeve	1	920082-4	Lockwasher, 5/16	4	
5-39	9066	Wheel - Steering	1	7-55	100552	Rod - Lift Connecting	1
	933221	Spiral Pin, 1/4 x 2	1	932008-4	Cotter Pin, 3/32 x 3/4	2	
5-44	9067	Insert - Steering Wheel	1	<u>8.000 BODY AND COVER PLATES (PLATE 8.1)</u>			
	7421	Decal, Steering Wheel	1	8-01	101445	Assy. - Hood	1
<u>6.000 BRAKE/CLUTCH LINKAGE (PLATE 6.1)</u>				101444	Pad, Foam 2 x 4 x 1/2	2	
6-01	9625	Drum - Brake	1	8-02	8947	Grill	1
	937086	Key, #61 Woodruff	2	910893-4	Bolt, 3/8-16 x 1 pan hd. - to hood	2	
	4376	E-Ring	2	915113-4	Nut, 3/8-16	2	
6-02	8908	Assy. - Brake Band	1	920124-4	Lockwasher, 3/8 E. T.	2	
	915663-4	Nut, 3/8-16 E. S.	1	8-04	9377	Hinge - Hood	1
6-04	8929	Rod - Brake	1	910807-4	Bolt, #10-32 x 1/2 pan hd.	7	
	915663-4	Nut, 3/8-16 E. S.	1	5924	Nut, #10-32	7	
	932008-4	Cotter Pin	1	8-13	9597	Link - Hood Stop	1
6-05	100553	Assy. - Brake Rod	1	960163-4	Screw, 1/4-28 x 1/2 Whizlock	1	
	920013-4	Washer, 5/8 SAE	2	8-14	9460	Cord - Hood Stop	1
	932018-4	Cotter Pin	2	8-15	5438	Ornament - Hood	1
6-06	9482	Shaft - Brake Retainer	1	5437	Speed Nut, 1/8 dia. push on	2	
	932009-4	Cotter Pin	4	8-16	9799	Plate - Escutcheon	1
6-08	9709	Handle - Parking Brake	1	7791	Speed Nut, push on	4	
	908010-4	Bolt, 1/4-20 x 2 1/4	1	8-33	100658	Plate - Shift Pattern	1
	915111-6	Nut, 1/4-20 Eslok	2	100609	Screw, special	4	
6-09	6623	Knob (Grip) - Parking Brake	1	8-38	100659	Panel - Complete - Lettered - RE	1
6-10	9713	Bracket - Parking Brake	1	100660	Panel - Complete - Lettered - RR	1	
	9211	Screw, #10-24 x 3/8 C.R. Pan Head	2	100609	Screw, Special	2	
6-20	8096	Pedal	1	8-42	7415	*Plug Button - Lights - RE	1
				7476	*Clip, Push-on - RE	1	

Parts available only through Authorized Dealers.
 When ordering parts always list Part No. and name of Part.
 (Specifications subject to change without notice.)

ITEM NO.	PART NO.	DESCRIPTION	NO. REQ'D.	ITEM NO.	PART NO.	DESCRIPTION	NO. REQ'D.
8-45	100483	Support - Fuel Tank	1	14-10	9470	Pulley - Trans. Main Drive	1
	910864-4	Bolt, 5/16-18 x 5/8	4		937086	Key, #6 Woodruff 3/16 x 5/8	1
	915112-6	Nut, 5/16-18 Eslok	4		909540-4	Set Screw, Sq. Head	2
8-60	8944	Support - Seat	1	<u>14.020 P.T.O. CLUTCH (PLATE 14.2)</u>			
	908016-4	Bolt, 5/16-18 x 5/8 to frame	4	14-20	100508	Handle - Engage Lever	1
	915112-6	Nut, 5/16-18 Eslok	4	14-21	8693	Knob - Plain Hole	1
8-70	8945	Body	1		8722	Knob - #10-24 Thread	1
	910864-4	Bolt, 5/16-18 x 5/8 pan hd.	8		910797-4	Screw, #10-24 x 1 1/4	1
	915112-6	Nut, 5/16-18 Eslok	8	14-22	9117	Bracket - Engage Lever	1
8-74	9096	Support - Fender	1		101224	Washer - Rubber	1
	908016-4	Bolt, 5/16-18 x 5/8 to seat support	4		908036-4	Bolt, 3/8-16 x 1 1/2	3
	915112-6	Nut, 5/16-18 Eslok	4		915113-6	Nut, 3/8-16 Eslok	3
8-75	100044	Bar - Fender Support	1		920039-4	Washer, 3/8 U.S.	1
	910864-4	Bolt, 5/16-18 x 5/8 pan hd.	2	14-24	9082	Rod - Engage Lever	1
	915112-6	Nut, 5/16-18 Eslok	2		932008-4	Cotter Pin	1
<u>9.000 ENGINE (PLATE 9.1)</u>				14-25	5791	Stud - Trunion	1
9-01	8893	Engine - 7 H.P. Lauson - Recoil	1		933505-4	Hairpin Cotter	1
	100436	Engine - 7 H.P. Lauson - Electric	1	14-26	100559	Assy. - Engaging Link	1
	908022-4	Bolt, 5/16-18 x 1 1/2 engine mount	1	14-27	100558	Spacer - Engaging Link	1
	908019-4	Bolt, 5/16-18 x 1 engine mount	3	14-28	9690	Spacer	1
	920008-4	Washer, 5/16	4		908018-4	Bolt, 5/16-18 x 7/8 R.H.	1
9-06	943308	Nipple - 1/4 x 1 1/4 oil drain	1		908021-4	Bolt, 5/16-18 x 1 1/2 L.H.	1
9-08	4217	Cap - 1/4 Pipe	1		915112-6	Nut, 5/16-18 Eslok	2
					920008-4	Washer, 5/16	3
<u>10.000 FUEL AND EXHAUST SYSTEMS (PLATE 10.1)</u>				14-29	9469	Pulley - Mower (P.T.O.)	1
10-01	9112	Assy. - Choke and Throttle Control	1		909540-4	Set Screw, Sq. Hd.	2
	911781-4	Bolt, 1/4-20 x 1/2 P.H., C.R.	2	14-30	100141	Guide - Belt	1
10-04	8623	Knob - Control	1		915112-6	Nut, 5/16-18 Eslok	1
10-20	8028	Tank - Fuel	1		920008-4	Washer, 5/16	1
10-21	1789	Cap - Tank	1	<u>15.000 SEAT, DECALS, MISC. TRIM (PLATE 15.1)</u>			
10-22	100147	Wire - Tank Hold Down	1	15-01	8951	Cushion - Seat (one piece)	1
10-25	6949	Spring	1		910837-4	Screw, 1/4-20 x 5/8 P.H.C.R.	1
10-31	100327	Assy. - Filter - Fuel	1		920037-4	Washer, 1/4 U.S.	1
10-32	100088	Hose - Fuel - 9 1/2" long	AR		920081-4	Lockwasher, 1/4	1
10-33	101349	Clamp - Hose - Adjustable	1	15-20	8956	Decal - Hood - R.H.	1
10-34	950153	Clamp - Corbin	AR		8957	Decal - Hood - L.H.	1
10-35	101861	Clamp - Hose	AR		9776	Decal - Lower Hood (Lawn Ranger)	2
10-40	9817	Assy. - Muffler	1	15-22	9777	Decal - Electric	2
10-41	7842	Gasket - Exhaust Flange	1	15-30	9780	Decal - Hood Rear - R. H. (Lift)	1
10-42	100560	Shield - Heat	1		9781	Decal - Hood Rear - L. H. (P.T.O.)	1
10-43	9985	Bar - Support	1	15-31	100432	Decal - Height Indicator (Lift)	1
	908016-4	Bolt, 5/16-18 x 5/8 bar to shield	1	<u>51.000 LAWN RANGER MOWER (PLATE 51.1)</u>			
	908027-4	Bolt, 5/16-18 x 3 to engine	2	1	100595	Deck	1
	915112-4	Nut, 5/16-18	2	2	100146	Plug Button	1
	920082-4	Lockwasher, 5/16	7	3	909862-5	Set Screw 5/16-18 x 5/16	2
<u>11.000 ELECTRICAL SYSTEM (PLATE 11.1)</u>				4	100675	Assy. - Sealed Spindle Bearing	2
11-01	100095	Harness - Wiring - RE	1	5	100676	Spacer - Pulley	2
	4256	Clip, to engine shroud	1	6	900234-4	Bolt - Carriage 3/8-16 x 1	8
	908003-4	Bolt, 1/4-20 x 3/4 to battery	1	7	915113-6	Nut 3/8-16 Eslok	9
	915111-6	Nut, 1/4-20 Eslok	1	8	8200	Cup - Spindle	2
	920007-4	Washer, 1/4 flat	1	9	933211	Roll Pin 1/4 x 3/4	4
11-03	100335	Wire - Battery to ground - RE	1	10	100355	Blade - Mower (2-Blade Kit)	1
	908003-4	Bolt, 1/4-20 x 3/4 to battery	1	11	1336	Washer - Dome	2
	915111-6	Nut, 1/4-20 Eslok	1	12	908033-5	Bolt - Nylon 3/8-16 x 7/8	2
	920007-4	Washer, 1/4 flat	1	13	101230	Pulley - Blade	2
11-20	101482	Switch - Ignition - RE	1	14	2844	Washer - Special	2
	7261	Nut, 9/16 - 24 special	1	15	903032-6	Bolt 3/8-16 x 3/4 Nylok	2
11-21	7262	Key - Ignition - RE	2	16	908034-4	Bolt Hex 3/8-16 x 1	2
11-40	100503	Battery - 12 V., 24 Amp. Hr. - RE	1	17	915663-4	Nut Hex 3/8-16 Elastic Stop	4
11-41	100438	Cap - Battery Cell - RE	6	18	920039-4	Washer 3/8 USS	5
11-43	5851	Strap - Battery - RE	1	19	8971	Housing - Drive Bearing	1
11-44	8107	Hook - Battery Clamp - RE	2	20	8970	Bearing - Integral Shaft 5/8	1
	915111-6	Nut, 1/4-20 Eslok	2	21	936021	Snap Ring	1
	920007-4	Washer, 1/4	2	22	9466	Pulley - Drive - Upper	1
<u>13.000 WHEELS, TIRE, TUBES (PLATE 13.1)</u>				23	9468	Pulley - Drive - Lower	1
13-01	8187	Assy. - Wheel and Tire - Front	2	24	937089	Key #9 Woodruff	2
13-02	9063	Assy. - Wheel and Tire - Rear	2	25	909539-4	Set Screw Square 5/16-18 x 3/8	1
13-03	8118	Assy. - Wheel and Bearing - Front	2	26	8978	Bracket	1
13-04	9064	Wheel - Rear (Integral Hub)	2	27	900063-4	Bolt 3/8-16 x 1	2
	937017	Key, #11 Woodruff 3/16 x 7/8	2	28	6719	Pulley - Idler	1
	936125	Snapring	2	29	908037-4	Bolt Hex 3/8-16 x 1 3/4	1
	1278	Washer, Shim (.050)	4	30	932962-4	Pin - Clevis 3/8 x 7/8 (Top)	4
	5435	Valve - Tubeless Tire	4	31	8246	Guide - Belt	1
13-05	8188	Tire - 13 x 5.00 - 6 Front	2	32	9629	Roller Arm	2
13-06	9065	Tire - 16 x 6.50 - 8 Rear	2	33	100285	Roller Assy. (100284 Bushings)	2
13-07	100043	Tube - 13 x 5.00 - 6 (Service Only)	AR	34	920011-4	Washer - Plain 1/2 SAE	2
	5512	Tube - 16 x 6.50 - 8 (Service Only)	AR	35	908019-4	Bolt 5/16-18 x 1	2
13-10	100166	Bearing - Flanged	4	36	915662-4	Nut 5/16-18 Elastic Stop	2
	5618	E-Ring, 3/4 Dia.	2	37	101443	Rod - Link	1
	1278	Washer, Shim (.050)	4	38	101439	Spring	1
13-21	8120	Hub Cap	4	39	920010-4	Washer - Plain 7/16	2
<u>14.000 DRIVE BELT, PULLEYS (PLATE 14.1)</u>				40	933156	Roll Pin 1/8 x 1	2
14-01	8911	V-Belt - Drive	1	41	933505-4	Hairpin	5
14-02	8925	Belt Guide - Drive Belt	1	42	101441	Bearing - 1/2 I.D.	2
14-03	8909	Pulley - Engine Main Drive	1	43	8977	Link - Lift	2
	2590	Key, crankshaft	1	44	932961-4	Pin - Clevis 3/8 x 3/4	4
	909540-4	Set Screw, Sq. Hd.	1	45	100055	Link - Lift - Front	2
				46	932008-4	Cotter Pin 3/32 x 3/4	4
				47	8975	Belt-Main Drive	1
				48	8976	Belt-Blade Drive	1
				49	4570	Decal - Caution	1
				50	920009-4	Washer - Plain 3/8	8

104067-

10291

Plate 9.1

ENGINE

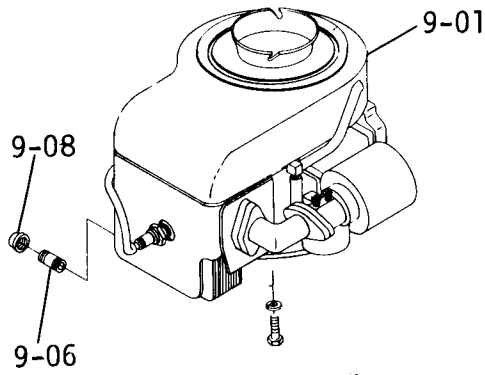


Plate 10.1 FUEL AND EXHAUST SYSTEM

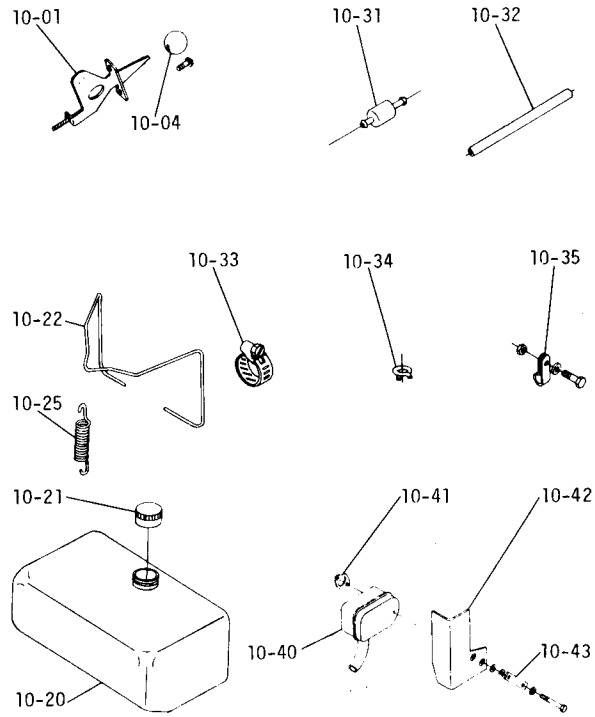


Plate 11.1

ELECTRICAL SYSTEM

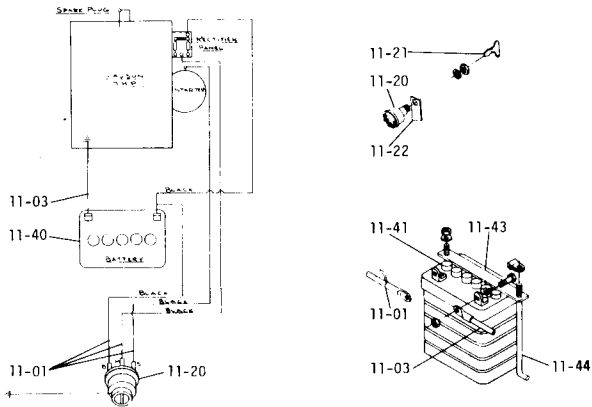


Plate 13.1

WHEELS AND TIRES

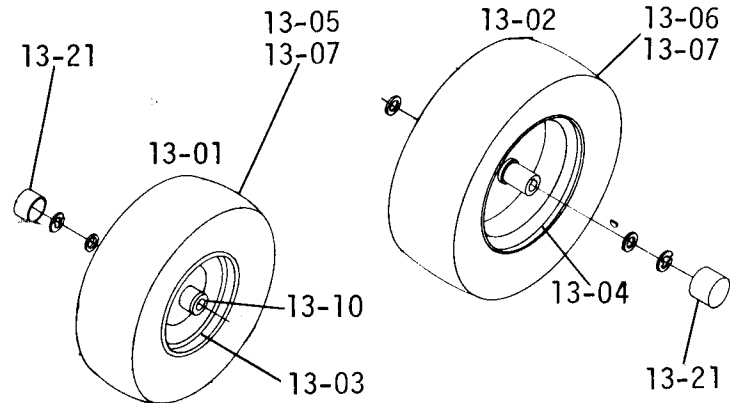


Plate 14.1

DRIVE BELTS, PULLEYS

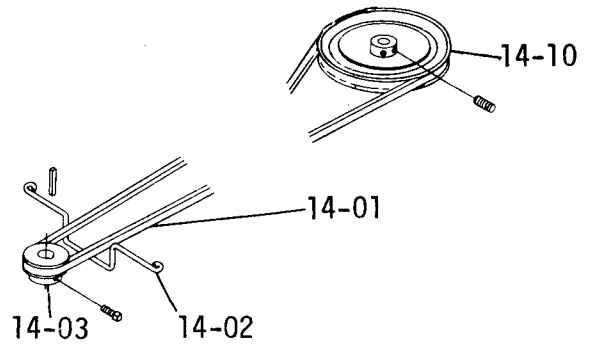


Plate 14.2

P. T. O. CLUTCH

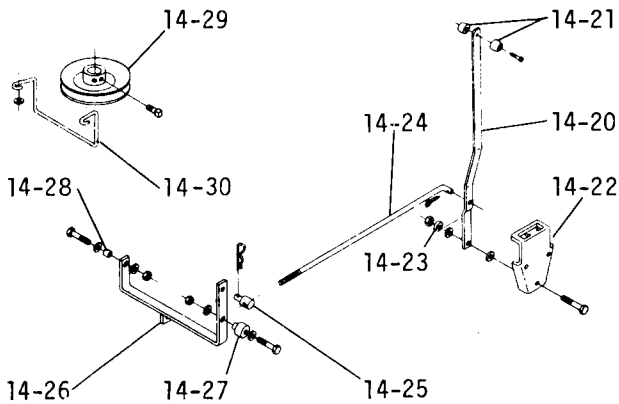
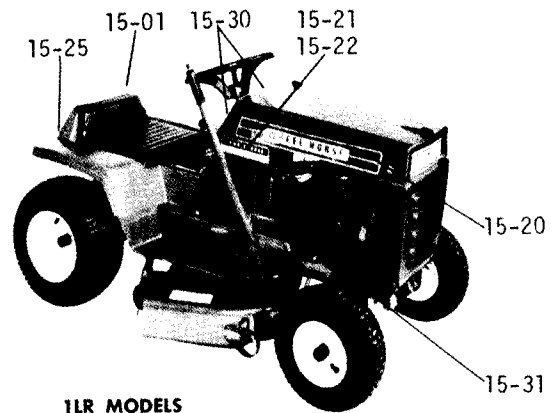
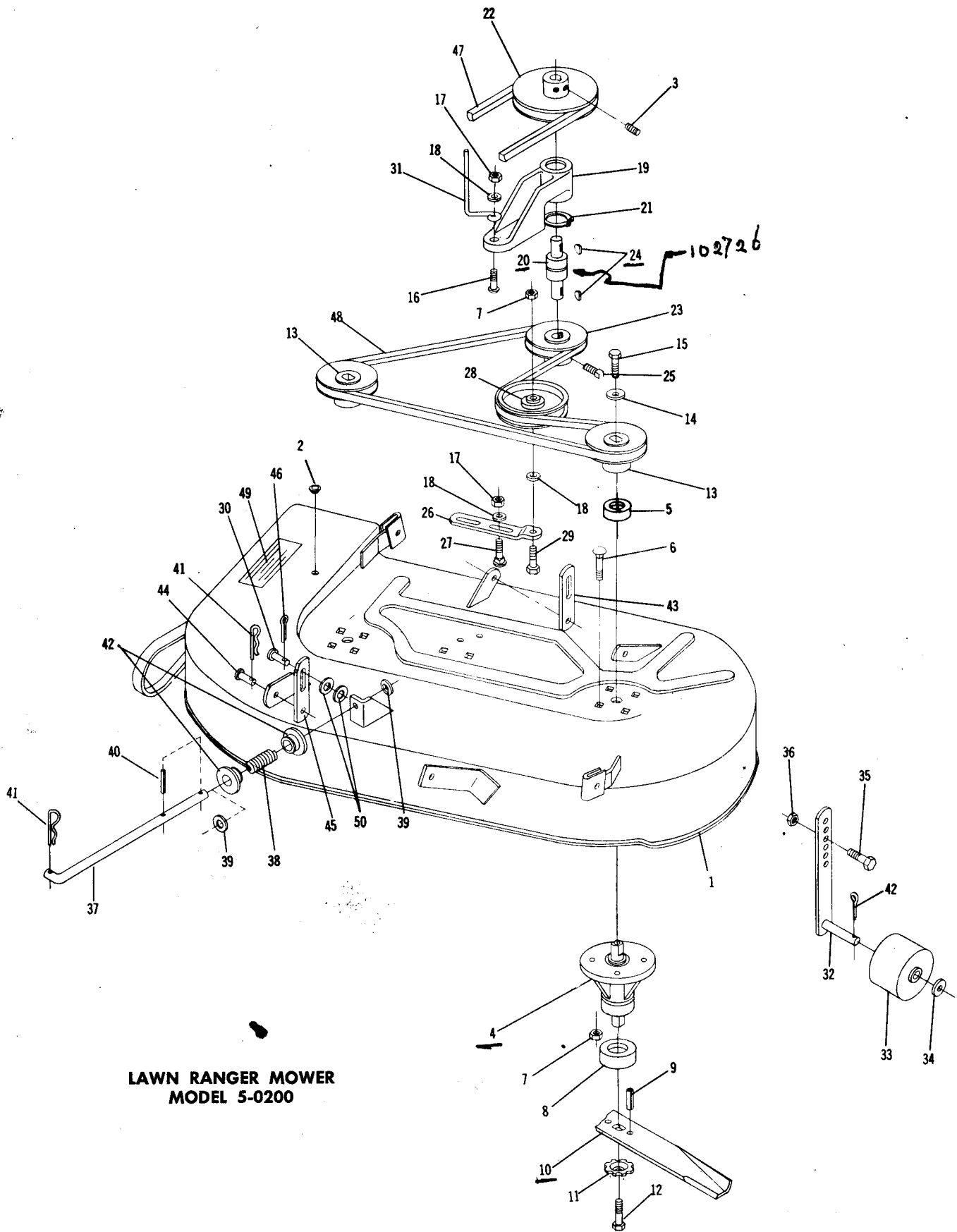


Plate 15.1 SEAT, DECALS, MISC. TRIM



1LR MODELS

MOWING ATTACHMENT



LAWN RANGER MOWER
MODEL 5-0200